

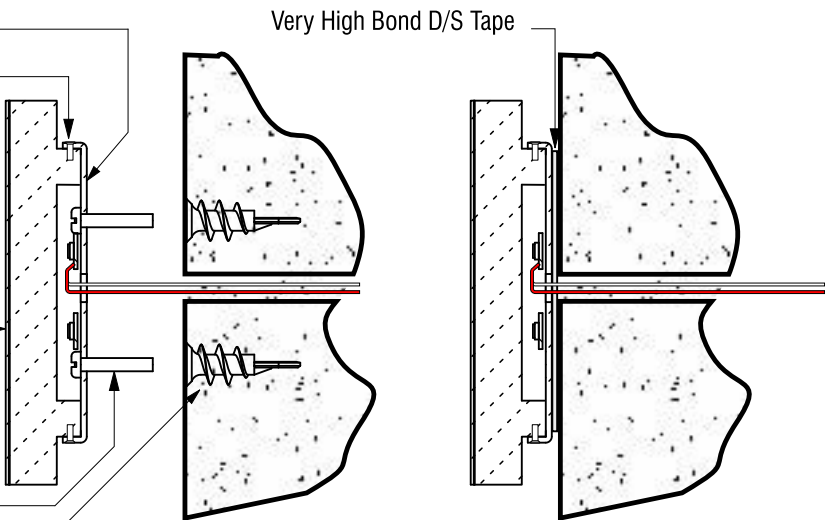
Thin-gauge access anchor plate w/ wire exit hole.

StSt. Set Screws

Thin-gauge decorative plate

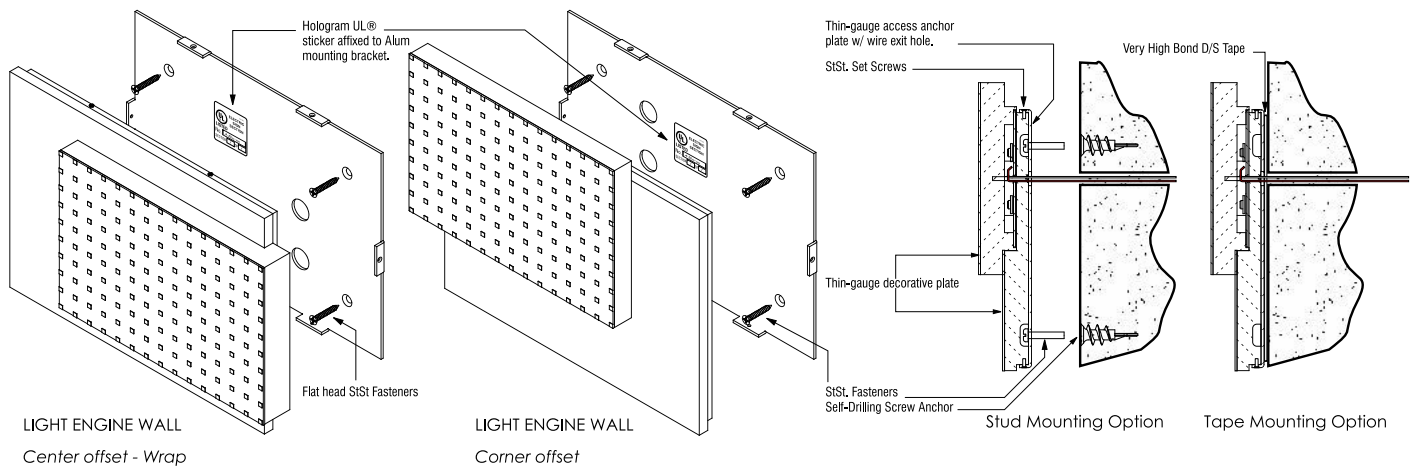
StSt. Fasteners

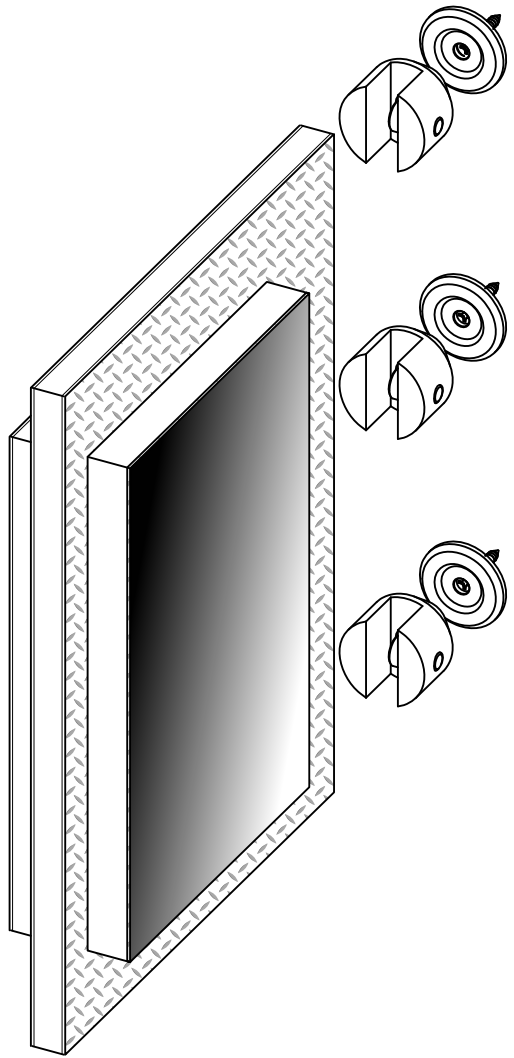
Self-Drilling Screw Anchor



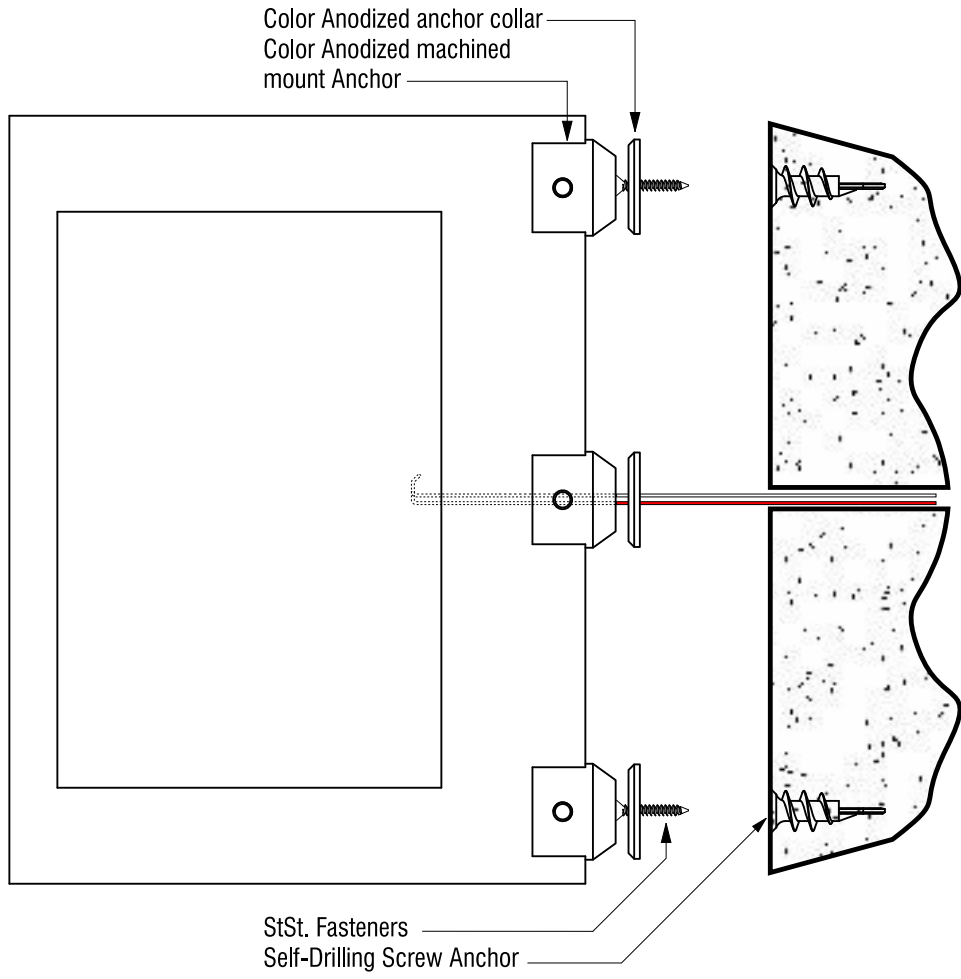
Stud Mounting Option

Tape Mounting Option



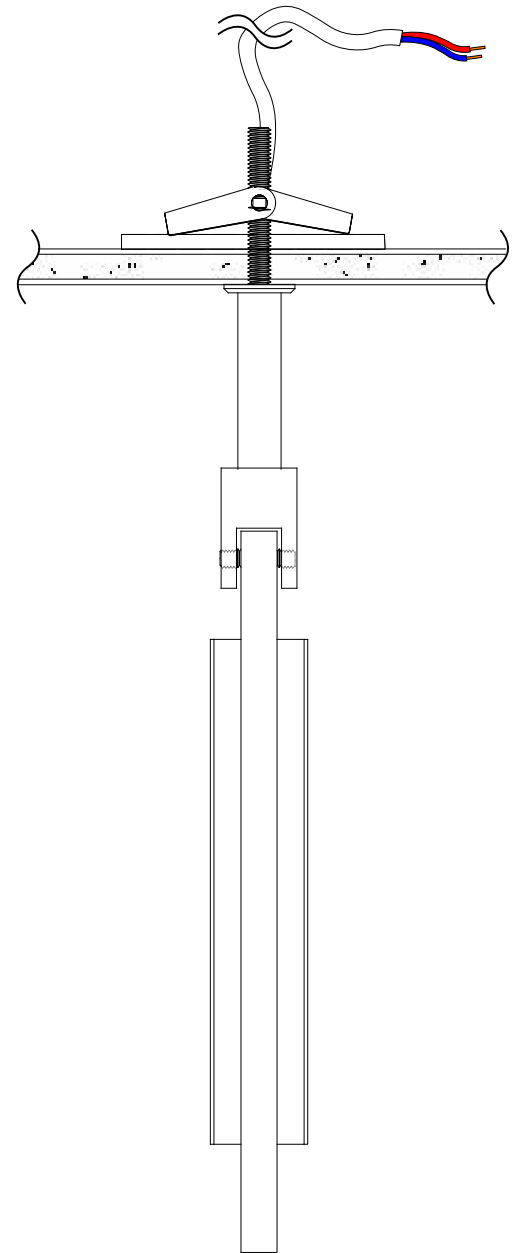
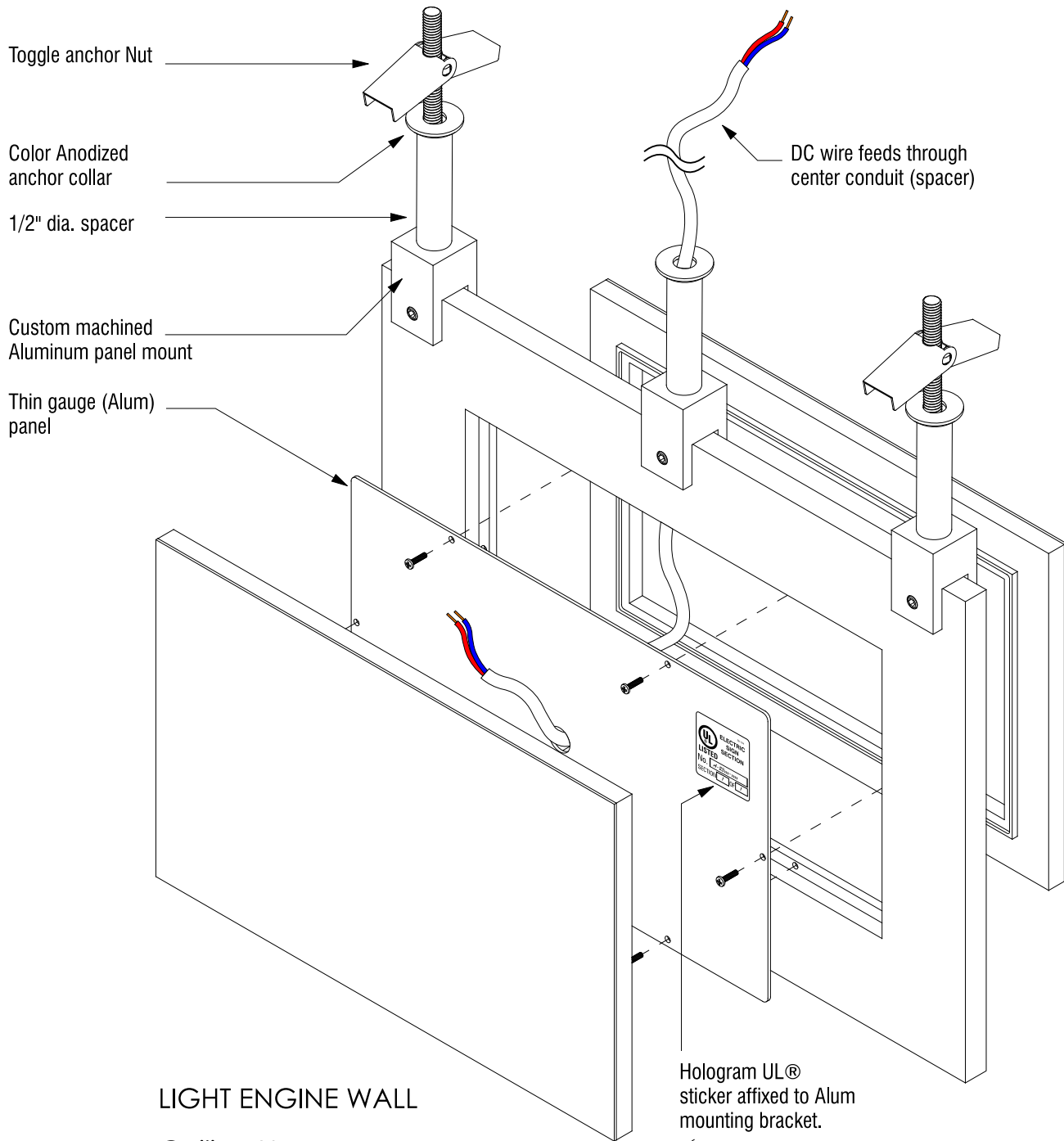


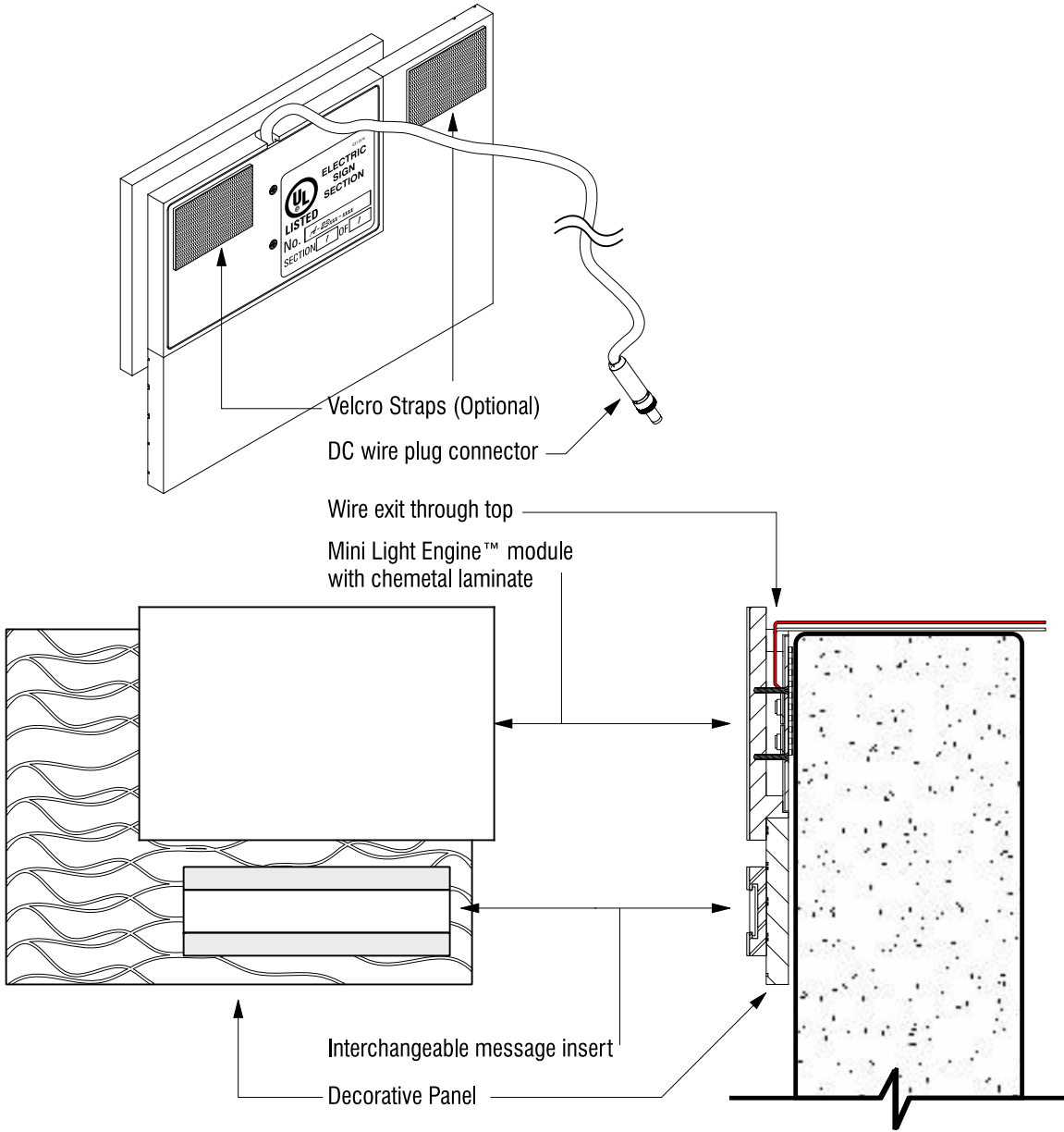
PROJECTED LIGHT ENGINE BLADE



Color Anodized anchor collar  
Color Anodized machined  
mount Anchor

StSt. Fasteners  
Self-Drilling Screw Anchor





LIGHT ENGINE - CUBICAL