

# Aluminum

Aluminum alloy 5052 is offered because of its strength, corrosion resistance and value. Aluminum presents a naturally beautiful luster regardless of the finish chosen. Some of the most popular options include satin, mirror polish, paint or powder coat. Natural aluminum is protected with weatherometer proven, clear interior lacquer or exterior powder coat.



Bright Aluminum Polish (Up to 24")



Satinbrite™



Satinbrite™ Face & Painted Sides



Satinbrite™ Face & Polished Sides



APU Paint PMS Matching



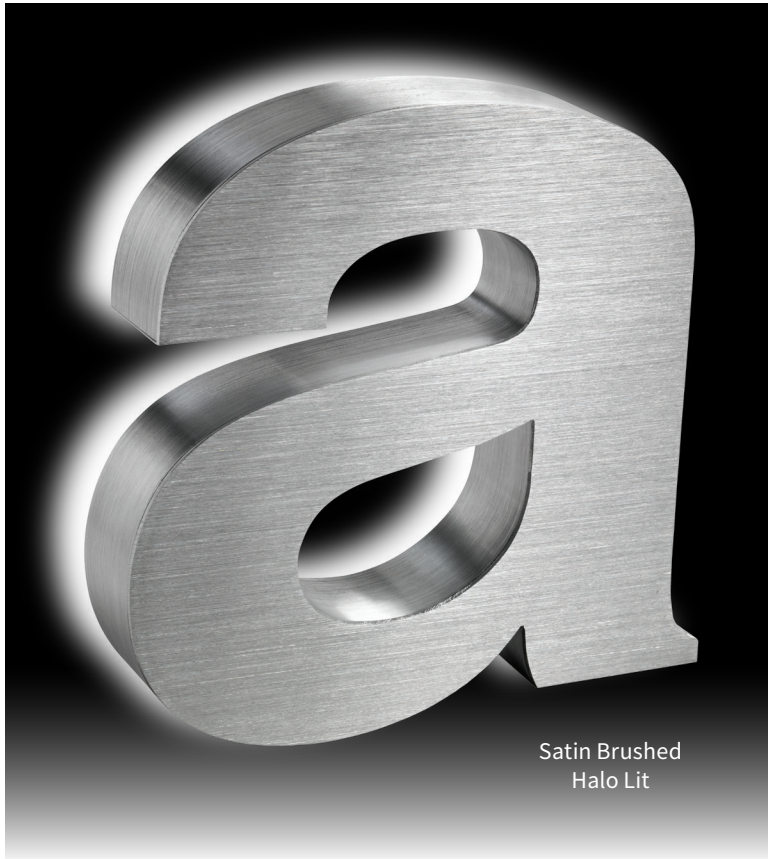
Powder Coat



Non-Directional

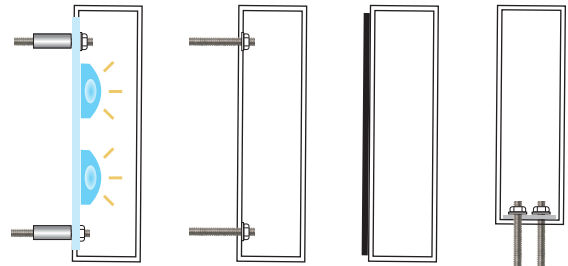


Random Orbital



Satin Brushed Halo Lit

## MOUNTING (CLOSED BACK AVAILABLE)



Spacers & LED Illuminated

Stud

Tape

Bottom

## DETAILS

### SIZE RANGE

- Height: 3" - 60" | Depth: 0.375" - 6"

### LED ILLUMINATION

- Minimum Height: 4" | Minimum Depth: 0.5" | Maximum Depth: 6"

### SPECIFICS

- **Lifetime Guarantee** on craftsmanship
- Color matches by Matthews or AkzoNobel Systems
- Actual finish & color samples available
- **Tough Template™** available on all orders



Architectural Signage

Exclusively for the Sign Trade... Since 1952

LOOK CLOSE

189 Dean Street  
Norwood, MA 02062



800.322.2828 | 617.566.4079

steelartco.com

# Stainless Steel

Stainless Steel alloy 304 is a general purpose alloy, very durable and easy to maintain in exterior and interior applications. Alloy 316 performs better in highly corrosive, salt air environments, such as industrial, coastal vicinities or areas know for high levels of atmospheric pollution. **All stainless steel products are automatically passivated when used in exterior applications, at no additional charge.** This process aids in inhibiting oxidation and staining. See page 79 for additional information on "Passivation".



Mirror Polish



Powder Coat



Satinbrite™



Satinbrite™ Face & Polished Sides



Satinbrite™ Face & Painted Sides



Face Painted & Satinbrite™ Sides



Non-Directional

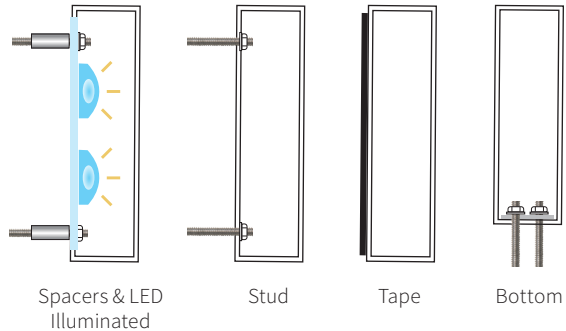


Random Orbital



Satin #4 Brushed  
Halo Lit

## MOUNTING (CLOSED BACK AVAILABLE)



## DETAILS

### SIZE RANGE

- Height: 3" - 60" | Depth: 0.375" - 6"

### LED ILLUMINATION

- Minimum Height: 4" | Minimum Depth: 0.5" | Maximum Depth: 6"

### SPECIFICS

- **Lifetime Guarantee** on craftsmanship
- Color matches by Matthews or AkzoNobel Systems
- Actual finish & color samples available
- **Tough Template™** available on all orders



## Architectural Signage

Exclusively for the Sign Trade... Since 1952

LOOK CLOSE

189 Dean Street  
Norwood, MA 02062



800.322.2828 | 617.566.4079

steelartco.com



# Titanium

Titanium coated stainless steel offers enhanced durability for exterior applications and a beautiful alternative for interiors. **NuGold™**, **NuBronze™**, **NuCopper™**, **Black** and **Medium Oxidize** are titanium coated stainless steel 304. These materials are a cost-effective alternative to brass, bronze, and copper with a **Ten Year Warranty** for exterior applications. All fabricated Titanium letters are available **without a silver edge**, which makes them ideal for “eye level” Installations. Ask your project manager about pricing.



NuGold™  
Mirror Polish



Medium Oxidized  
Satin Brushed



NuCopper™  
Mirror Polish



NuCopper™  
Satin Brushed



NuBronze™  
Mirror Polish



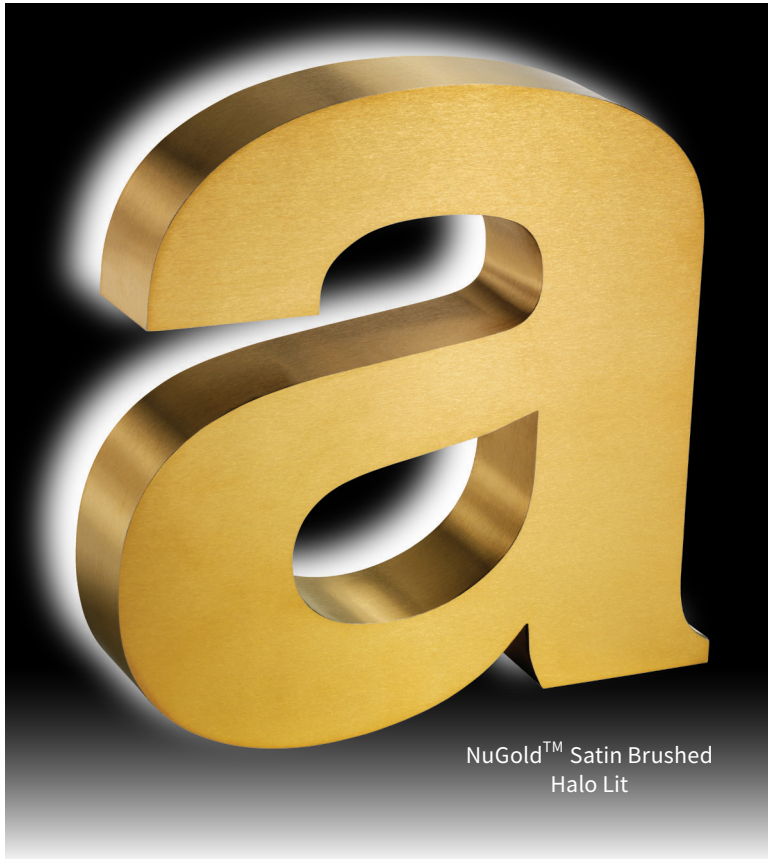
NuBronze™  
Satin Brushed



Black  
Mirror Polish

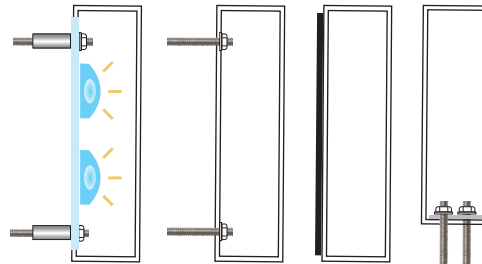


Black  
Satin Brushed



NuGold™ Satin Brushed  
Halo Lit

## MOUNTING (CLOSED BACK AVAILABLE)

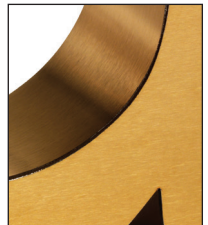


Spacers & LED  
Illuminated

Stud

Tape

Bottom



WITH SILVER EDGE



NO SILVER EDGE

## DETAILS

### SIZE RANGE

- Height: 3" - 48" | Depth: 0.375" - 6"

### LED ILLUMINATION

- Minimum Height: 4" | Minimum Depth: 0.5" | Maximum Depth: 6"

### SPECIFICS

- **Lifetime Guarantee** on craftsmanship
- Actual finish & color samples available
- **Tough Template™** available on all orders



Architectural Signage

Exclusively for the Sign Trade... Since 1952

LOOK CLOSE

189 Dean Street  
Norwood, MA 02062



800.322.2828 | 617.566.4079

steelartco.com

# Brass

Brass alloy 280 provides a distinguished gold appearance. Virtually all available finishes offer a warm architectural look in interior applications, while shades of oxidation perform well in both the interior and exterior. All brass fabricated letters have a protective clear coat.



Mirror Polish  
(Up to 24")



Medium Oxidized  
Satin Brushed



Satinbrite™



Satinbrite™ Face  
& Polished Sides



Satinbrite™ Face  
& Painted Sides



Face Painted  
& Satinbrite™ Sides



Non-Directional

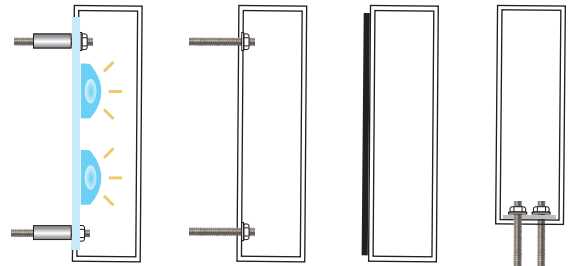


Random Orbital



Satin Brushed  
Halo Lit

## MOUNTING (CLOSED BACK AVAILABLE)



Spacers & LED  
Illuminated

Stud

Tape

Bottom

## DETAILS

### SIZE RANGE

- Height: 3" - 36" | Depth: 0.375" - 6"

### LED ILLUMINATION

- Minimum Height: 4" | Minimum Depth: 0.5" | Maximum Depth: 6"

### SPECIFICS

- **Lifetime Guarantee** on craftsmanship
- Color matches by Matthews or AkzoNobel Systems
- Actual finish & color samples available
- **Tough Template™** available on all orders



## Architectural Signage

Exclusively for the Sign Trade... Since 1952

LOOK CLOSE

189 Dean Street  
Norwood, MA 02062



800.322.2828 | 617.566.4079

steelartco.com



# Yellow Brass

Yellow Brass alloy 260 provides a distinguished yellow gold appearance. Virtually all available finishes offer a warm architectural look in interior applications, while shades of oxidation perform well in both the interior and exterior. All yellow brass fabricated letters have a protective clear coat.



Mirror Polish  
(Up to 24")



Medium Oxidized  
Satin Brushed



Satinbrite™



Satinbrite™ Face  
& Polished Sides



Satinbrite™ Face  
& Painted Sides



Face Painted  
& Satinbrite™ Sides



Non-Directional

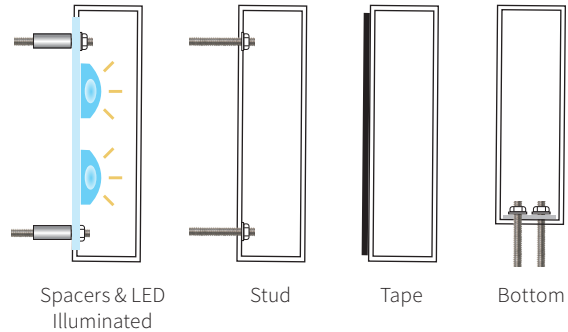


Random Orbital



Satin Brushed  
Halo Lit

## MOUNTING (CLOSED BACK AVAILABLE)



## DETAILS

### SIZE RANGE

- Height: 3" - 36" | Depth: 0.375" - 6"

### LED ILLUMINATION

- Minimum Height: 4" | Minimum Depth: 0.5" | Maximum Depth: 6"

### SPECIFICS

- **Lifetime Guarantee** on craftsmanship
- Color matches by Matthews or AkzoNobel Systems
- Actual finish & color samples available
- **Tough Template™** available on all orders



Architectural Signage

Exclusively for the Sign Trade... Since 1952

LOOK CLOSE

189 Dean Street  
Norwood, MA 02062



800.322.2828 | 617.566.4079

steelartco.com

# Anodized Aluminum

Aluminum presents a naturally beautiful luster. When extreme durability, architectural embellishment and “value engineering” is of major concern, these color anodized fabricated letters must be considered. Guaranteed for 15 years in exterior application and available in a myriad of architectural colors and finishes they are a fit for any project.



Bright Aluminum  
Polish (Up to 24")



Black Satin



Bright Gold  
Satin



Bright Gold  
Polish (Up to 24")



Medium Bronze  
Satin



Dark Bronze  
Satin



Gold Brushed

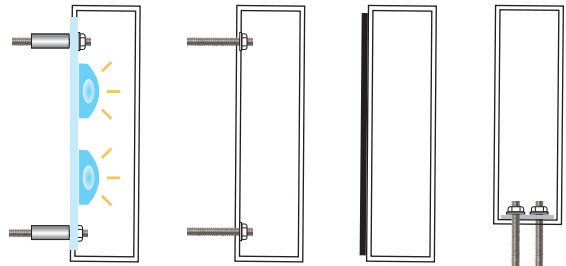


Clear Brushed



Bright Satin Brushed  
Halo Lit

## MOUNTING (CLOSED BACK AVAILABLE)



Spacers & LED  
Illuminated

Stud

Tape

Bottom

## DETAILS

### SIZE RANGE

- Height: 3" - 24" | Depth: 0.375" - 4"

### LED ILLUMINATION

- Minimum Height: 6" | Minimum Depth: 0.5" | Maximum Depth: 4"

### SPECIFICS

- **Lifetime Guarantee** on craftsmanship
- Color matches by Matthews or AkzoNobel Systems
- Actual finish & color samples available
- **Tough Template™** available on all orders



Architectural Signage

Exclusively for the Sign Trade... Since 1952

LOOK CLOSE

189 Dean Street  
Norwood, MA 02062



800.322.2828 | 617.566.4079

steelartco.com



# Bronze

Bronze alloy 220 provides a distinguished reddish gold appearance. Virtually all available finishes offer a warm architectural look in interior applications, while shades of oxidation perform well in both the interior and exterior. All bronze fabricated letters have a protective clear coat.



Mirror Polish  
(Up to 24")



Medium Oxidized  
Satin Brushed



Satinbrite™



Satinbrite™ Face  
& Polished Sides



Satinbrite™ Face  
& Painted Sides



Face Painted &  
Satinbrite™ Sides



Non-Directional

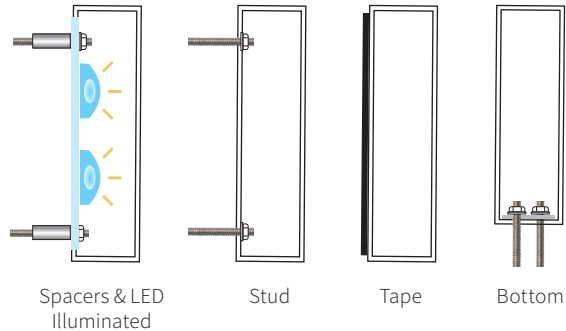


Random Orbital



Satin Brushed  
Halo Lit

## MOUNTING (CLOSED BACK AVAILABLE)



## DETAILS

### SIZE RANGE

- Height: 3" - 36" | Depth: 0.375" - 6"

### LED ILLUMINATION

- Minimum Height: 4" | Minimum Depth: 0.5" | Maximum Depth: 6"

### SPECIFICS

- **Lifetime Guarantee** on craftsmanship
- Color matches by Matthews or AkzoNobel Systems
- Actual finish & color samples available
- **Tough Template™** available on all orders



Architectural Signage

Exclusively for the Sign Trade... Since 1952

LOOK CLOSE

189 Dean Street  
Norwood, MA 02062



800.322.2828 | 617.566.4079

steelartco.com

# Copper

Copper alloy 110 provides a distinguished reddish appearance. Virtually all available finishes offer a warm architectural look in interior applications, while shades of oxidation perform well in both the interior and exterior. All copper fabricated letters have a protective clear coat.



Mirror Polish  
(Up to 24")



Medium Oxidized  
Satin Brushed



Satinbrite™



Satinbrite™ Face  
& Polished Sides



Satinbrite™ Face  
& Painted Sides



Random Orbital



Non-Directional

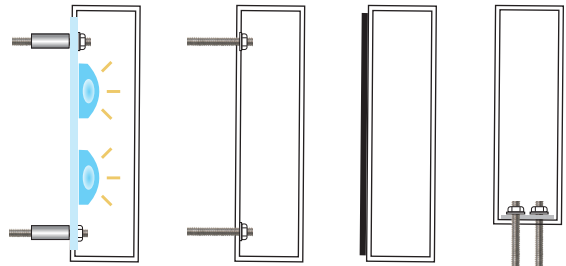


Verde Green  
Patina



Satin Brushed  
Halo Lit

## MOUNTING (CLOSED BACK AVAILABLE)



Spacers & LED  
Illuminated

Stud

Tape

Bottom

## DETAILS

### SIZE RANGE

- Height: 3" - 36" | Depth: 0.375" - 6"

### LED ILLUMINATION

- Minimum Height: 4" | Minimum Depth: 0.5" | Maximum Depth: 6"

### SPECIFICS

- **Lifetime Guarantee** on craftsmanship
- Color matches by Matthews or AkzoNobel Systems
- Actual finish & color samples available
- **Tough Template™** available on all orders



Architectural Signage

Exclusively for the Sign Trade... Since 1952

LOOK CLOSE

189 Dean Street  
Norwood, MA 02062



800.322.2828 | 617.566.4079

steelartco.com